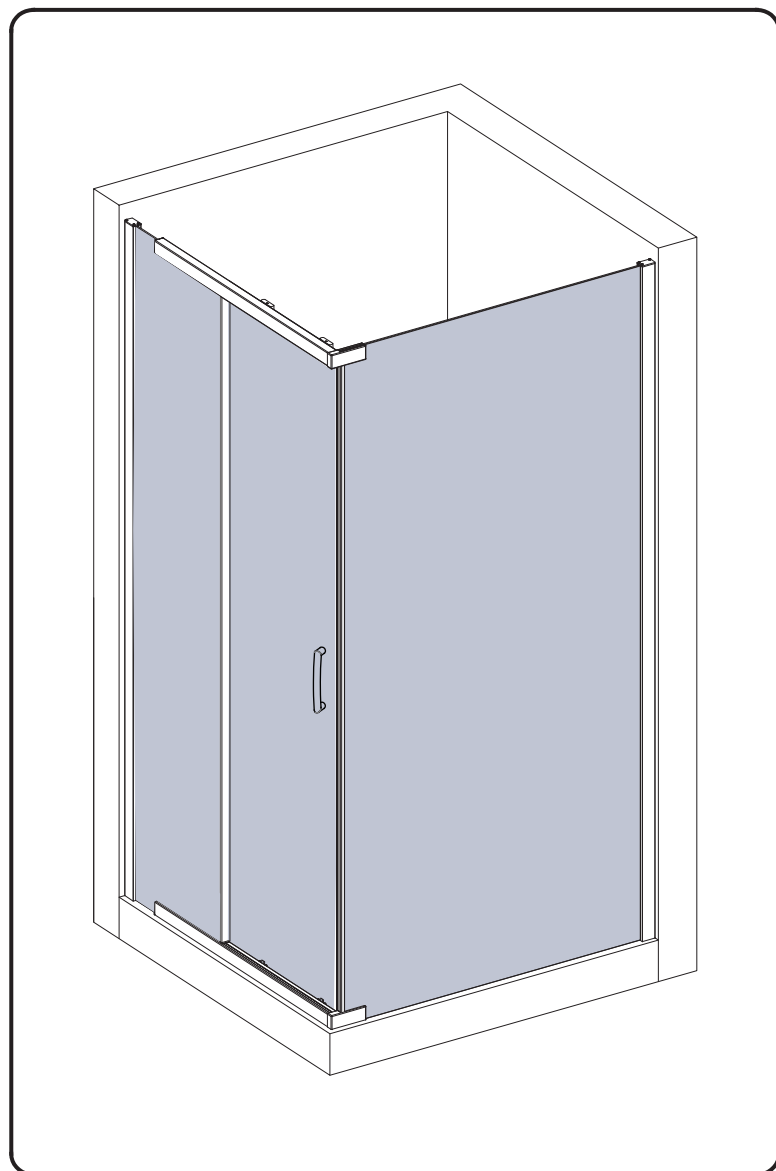


Please read through the complete instruction leaflet before commencing any installation work!



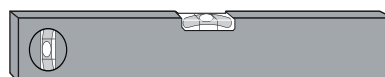
Tools Required



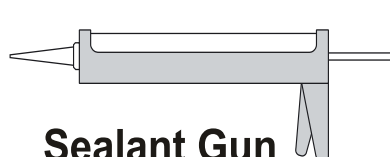
Drill



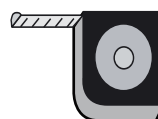
**6mm Masonry Drill
2.75mm HSS Drill**



Spirit level



Sealant Gun



Tape Measure



Pencil



**PH2 TYPE
Screwdriver**

Please note hand tools **NOT** supplied.

IMPORTANT

This product should be installed by a suitably qualified and proficient person. The fitting instructions should be followed carefully to ensure a proper and safe installation. Failure to follow these instructions could result in future injury.

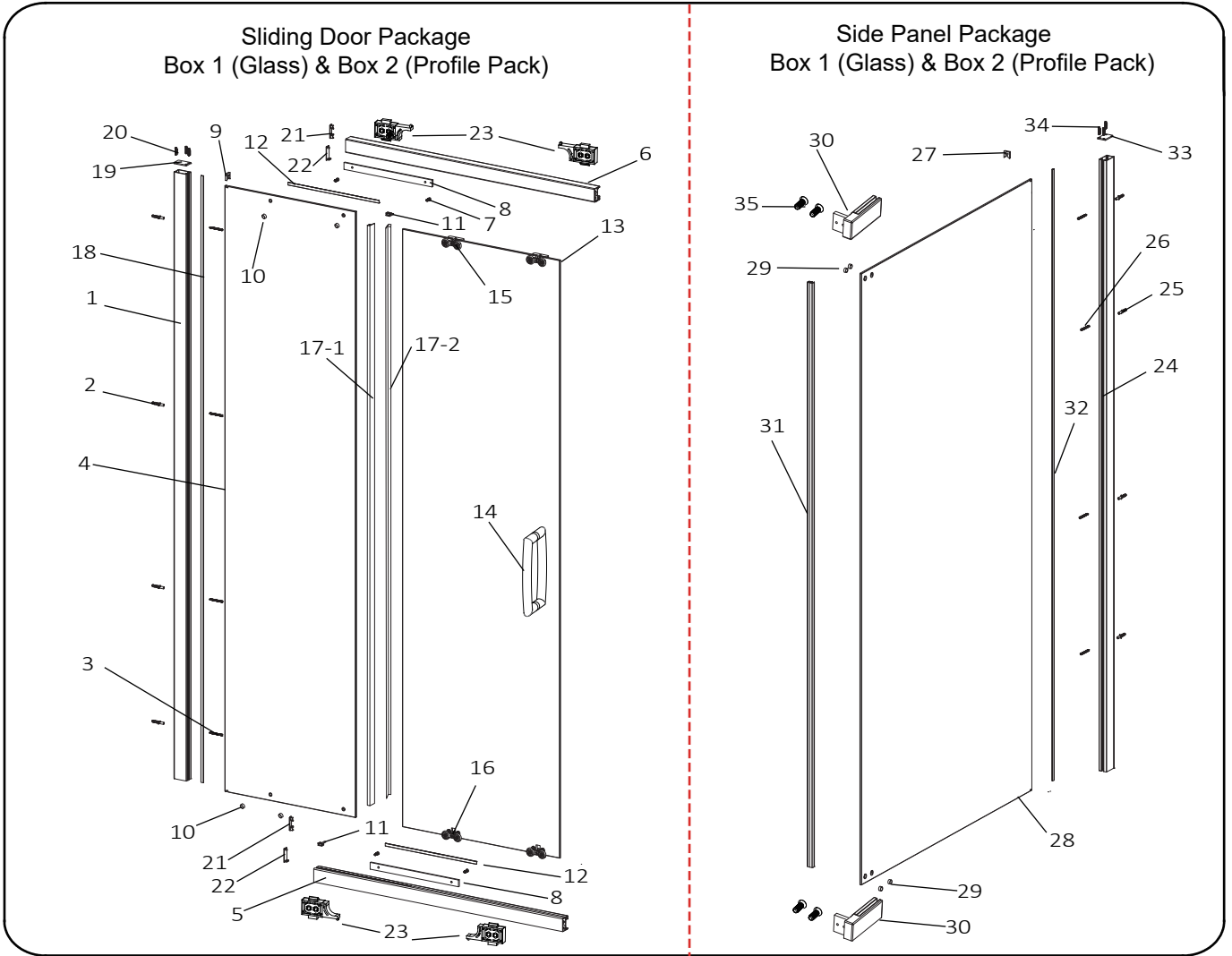
These instructions and list of parts assume that installation is done against solid/tiled walls.

Please check this product for damage prior to starting the installation. No claims can be made after the product has been fitted.

PLEASE NOTE :The minimum and maximum adjustment sizes noted on the product brochures are based on perfectly plumb walls and trays.

USE SAFETY EYE-WEAR WHEN DRILLING

COMPONENTS AND BOX CONTENTS



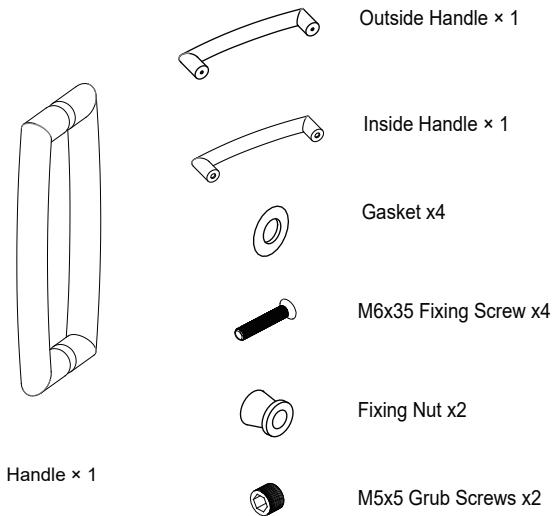
Box Contents Sliding Door Package

Box Contents Side Panel Package

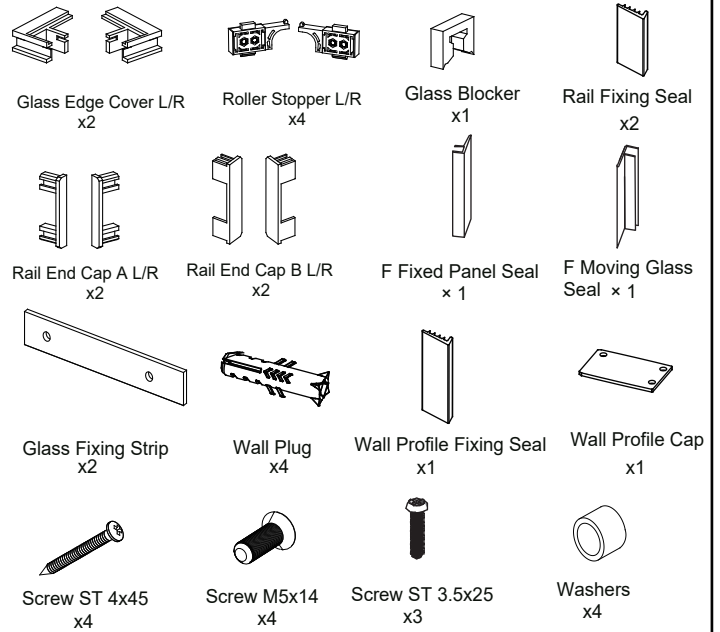
SN	Description	Image	Q'ty	SN	Description	Image	Q'ty	SN	Description	Image	Q'ty
1	Wall Profile		1	13	Moving Glass		1	24	Wall Profile		1
2	Wall Plug		4	14	Handle		1	25	Wall Plug		4
3	ST Screws 4x45		4	15	Top Roller		2	26	ST Screws 4x45		4
4	Fixed Glass		1	16	Bottom Roller		2	27	Glass Blocker		1
5	Bottom Rail		1	17-1	F Fixed Panel Seal		1	28	Side Panel Glass		1
6	Top Rail		1	17-2	F Moving Glass Seal		1	29	Washers		4
7	M5X14 Screw		4	18	Wall Profile Fixing Seal		1	30	Rail Fixing		2
8	Glass Fixing Strip		2	19	Wall Profile Cap		1	31	Magnet Strip		1
9	Glass Blocker		1	20	ST3.5X20 Screw		3	32	Fixing Seal		1
10	Washers		4	21	Rail End Cap A		2	33	Wall Profile Cap		1
11	Glass Edge Cover		2	22	Rail End Cap B		2	34	ST3.5X20 Screw		3
12	Rail Fixing Seal		2	23	Roller Stopper L/R		4	35	Screw M4x10		4

FIXING KIT COMPONENTS, SITE CONDITIONS

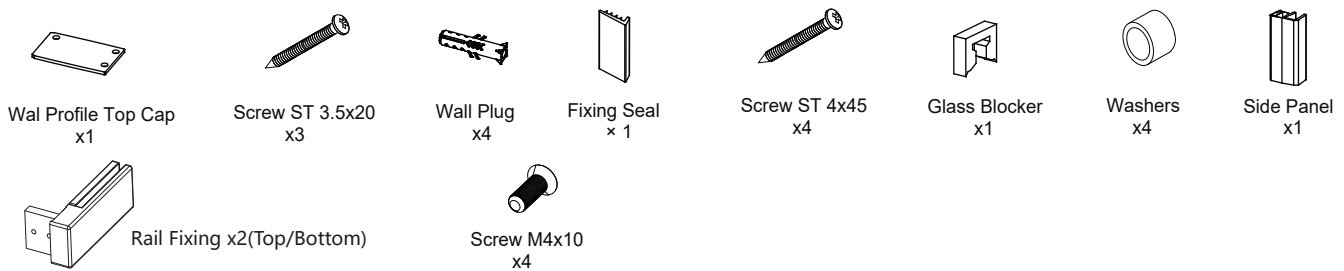
Dilusso 8 Handle



Dilusso 8 Slider Fixing Kit



Dilusso 8 Slider Side Panel Fixing Kit



IMPORTANT - Missing Components

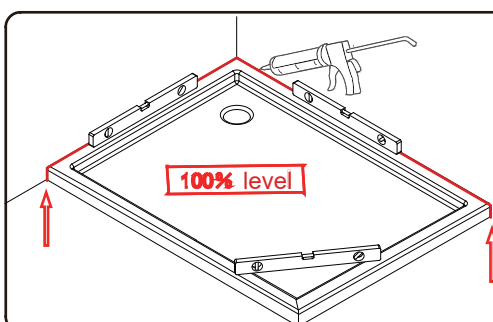
Please check this product for missing components prior to installation.

For spare parts visit www.formulabathrooms.co.uk

IMPORTANT - Installation site

1. Ensure the top surface of the shower tray on which the enclosure will be installed is level in every direction.
2. The tiles or other wall finishings should be effectively sealed at tray edges.
3. Tiles should extend at least to the corner of the tray and a minimum of 1.9 meters from the top of the tray.

PROCEDURE



TRAY MUST BE 100% LEVEL IN ALL DIRECTIONS

Ensure the shower tray is level in all directions and is properly sealed to the wall. The wall must be tiled down to the top edge of the tray. **Do not angle out bottom tile.**

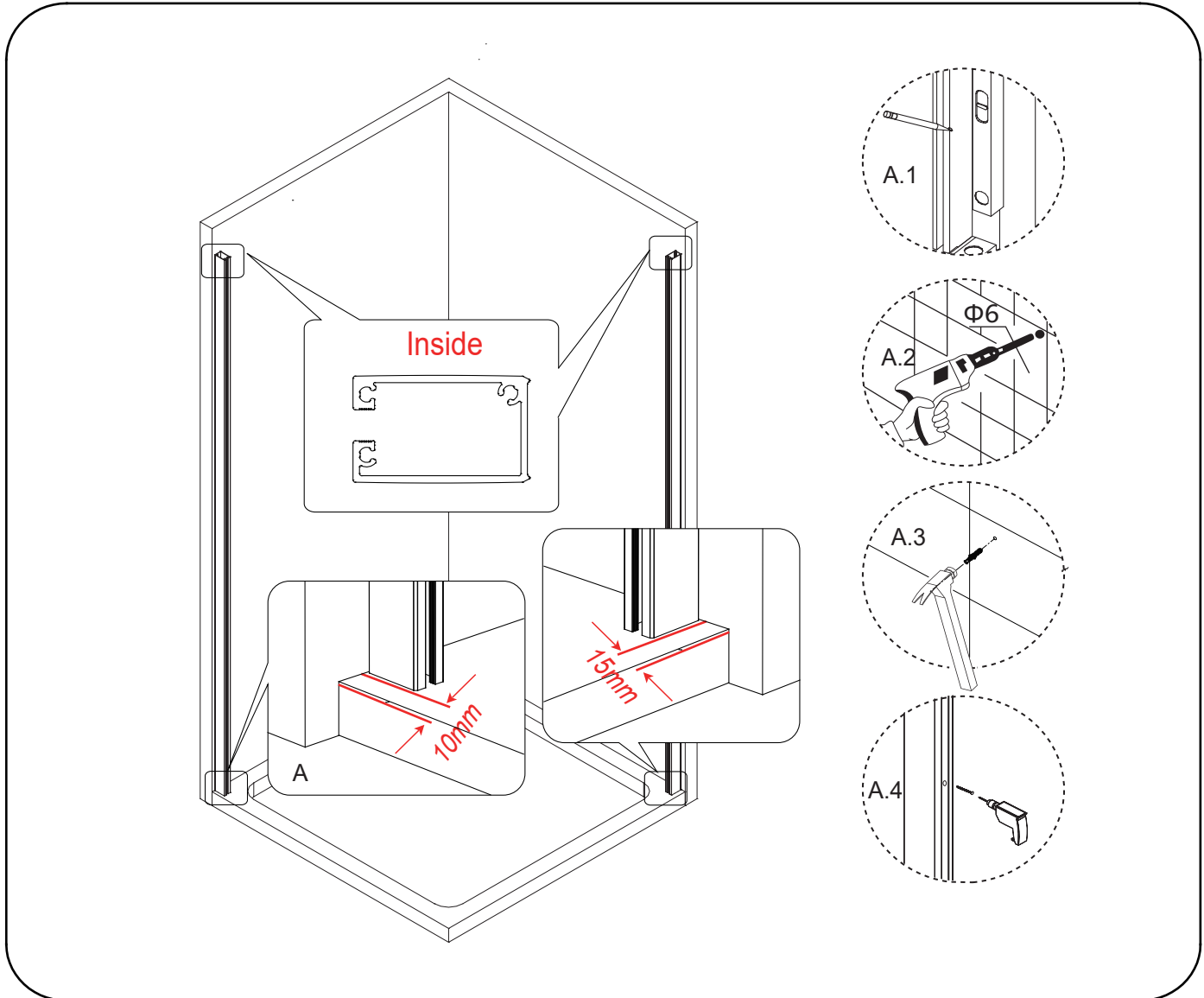
TRAY MUST BE SEALED FULLY AROUND WHERE THE TRAY MEETS THE WALL.

DILUSSO

CORNER SLIDING DOOR

INSTALLATION INSTRUCTIONS

Note: The product can be constructed either way up, for left or right hand opening. This instruction is showing a LEFT hand opening. If the door is being fitted with a Side Panel please follow this instruction to complete installation.



Step 1.1 Place the wall profiles (no.1/24) to the wall (roughly 10mm away from the front of the tray on the door side, 15mm away from the tray edge on the side panel side. (Diagram A).

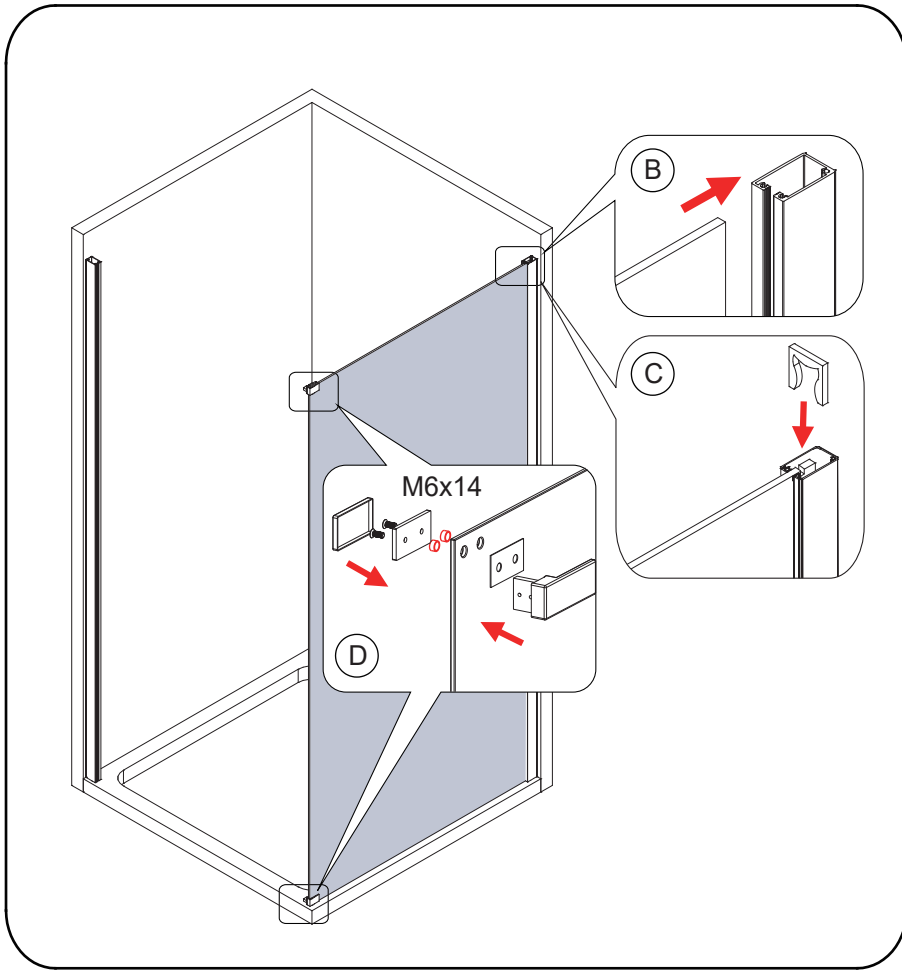
Step 1.2 Level the profiles using a spirit level. Once you are happy that the profiles sit on the tray correctly, mark the wall through the 4 pre-drilled holes in the wall profiles (Diagram A.1).

Note: You may find it easier to mark and drill the wall if you apply masking tape to it first.

Step 1.3 Remove the wall profiles and drill the marked points using a 6mm masonry drill bit. Once this is done, insert wall plugs (no.2/25) (Diagram A.2)

Step 1.4 Fix the wall profiles (no.1/24) to wall using the screws ST4x45 (no.3/26) (Diagram A.4).

INSTALLATION INSTRUCTIONS

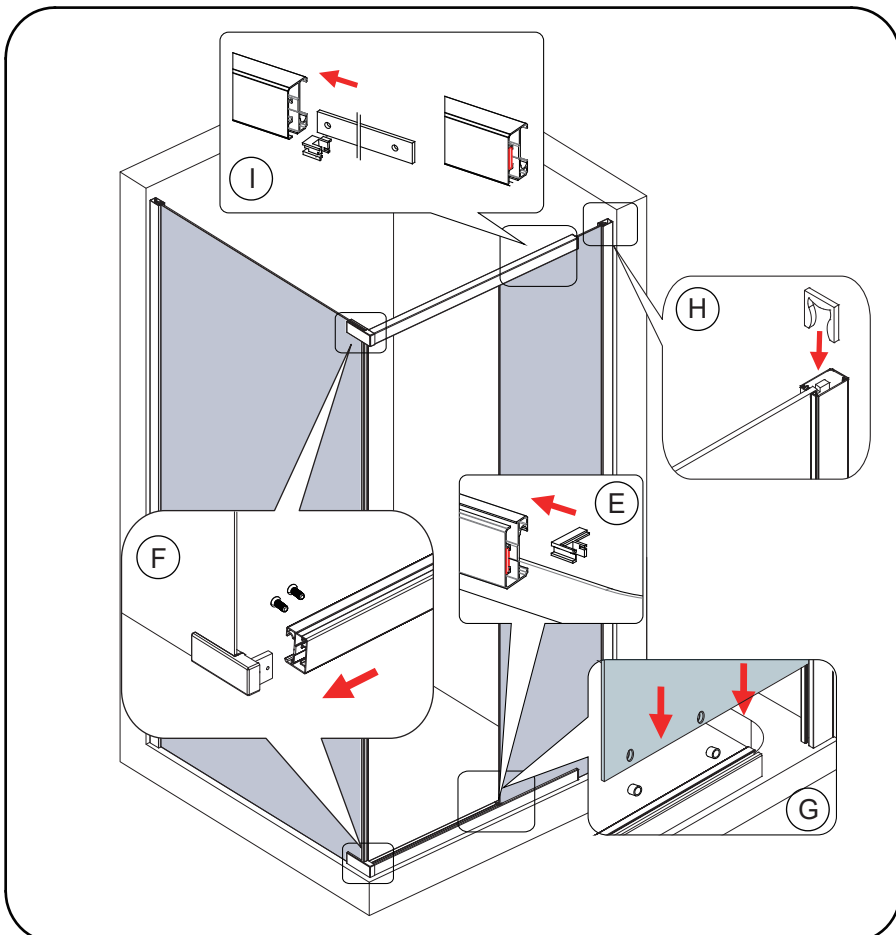


Step 2.1 Insert the side panel glass(no.28) into the wall profile(no.24).(Diagram B)

Step 2.2 Then fit the glass blocker (no.27) onto the groove at the top of the side panel glass.(Diagram C)

Step 2.3 Insert the washers (no.29) into the holes on the side panel glass. Fix the rail fixing (no.30) onto top and bottom of the side panel glass using screws M6x14. Ensure the gasket has placed both inside and outside of the glass panel. (Diagram D).

Note: There is top and bottom rail fixing in the package,make sure you pick up the correct one before fix it onto the side panel.



Step 3.1 Fit the correct hand of the glass edge (no.11) onto the bottom rail.Ensure the glass fixing strip is inserted into the rail and the holes on the strip line up with the holes on the rail profile.(Diagram E).

Step 3.2 Insert the bottom rail onto the rail fixing fixed at the bottom of the side panel. Secure the parts together using the screw M4x10 through the pre-drilled hole on the rail.(Diagram F).

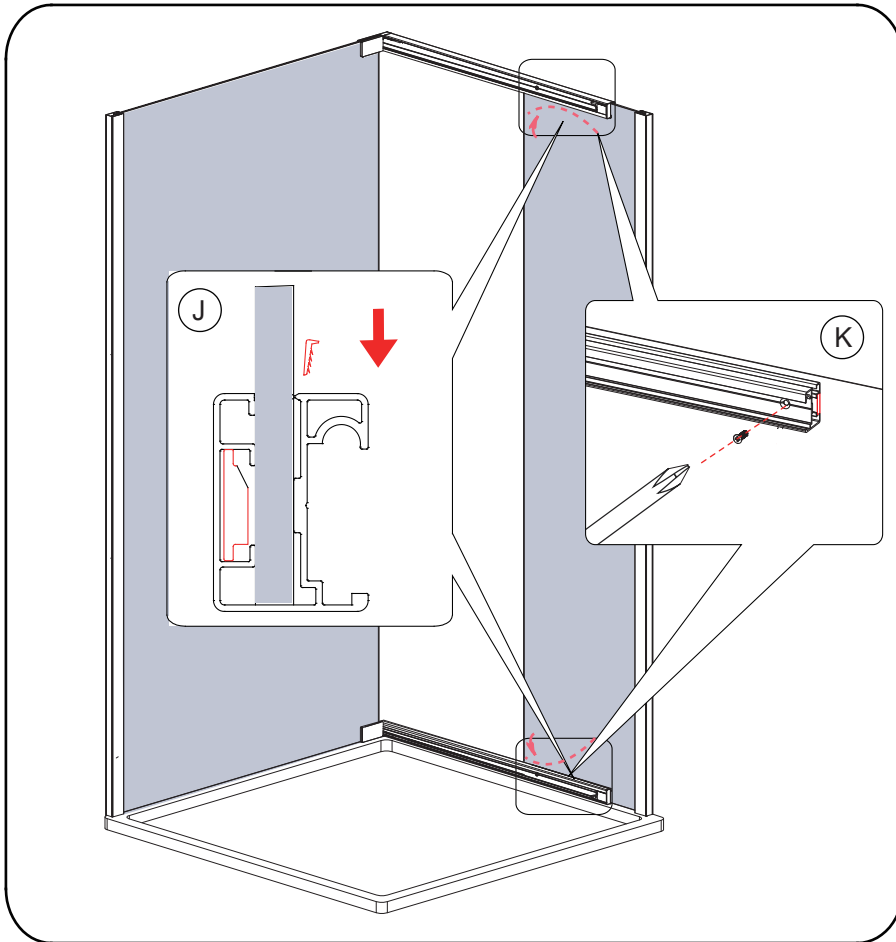
Step 3.3 Fit the washers (no.29) into the holes on the fixed panel (no.4) then insert the fixed panel into the bottom rail and wall profile.(Diagram G).

Step 3.4 Fit the glass blocker (no.9) into the groove at the top of the fixed panel. (Diagram H).

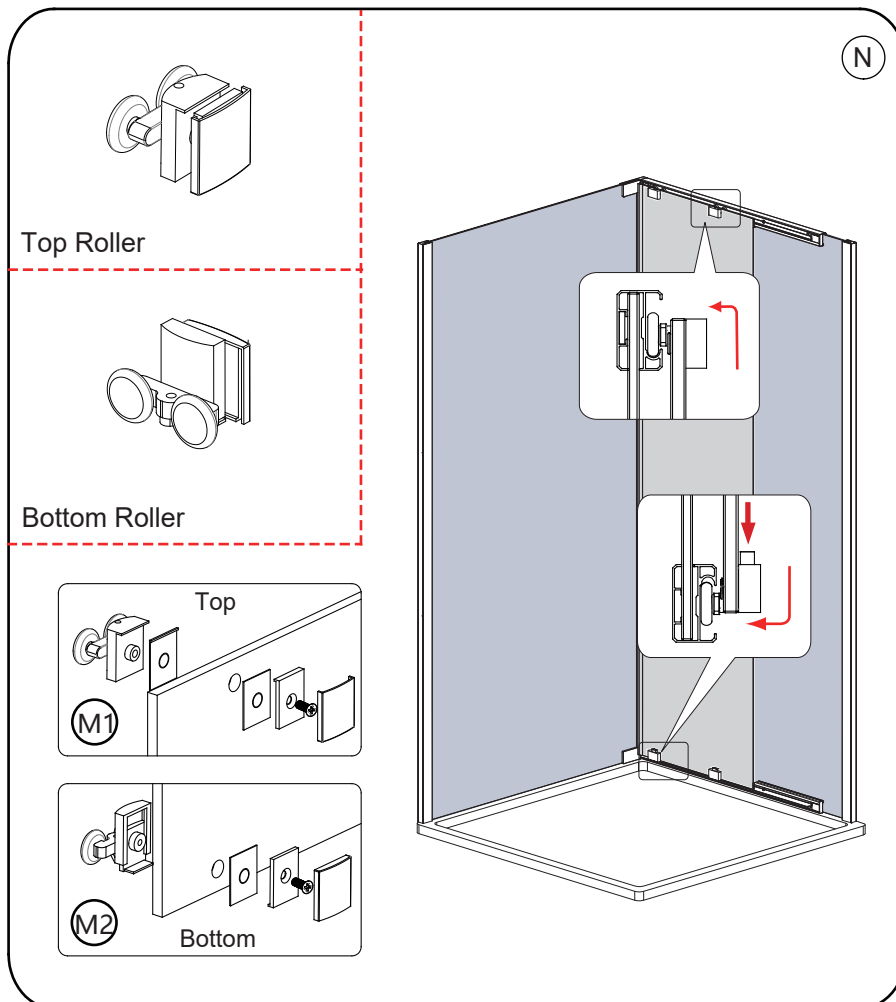
Step 3.5 Fit the other glass edge cover (no.11) onto the top rail. Ensure the glass fixing strip has been inserted and the holes on the strip line up the holes on the rail.(Diagram I).

Step 3.6 Insert the top rail onto the rail fixing fixed at the top of the side panel and fixed panel then using screw M4x10 to fix the parts together through the pre-drilled holes on the rail.

INSTALLATION INSTRUCTIONS

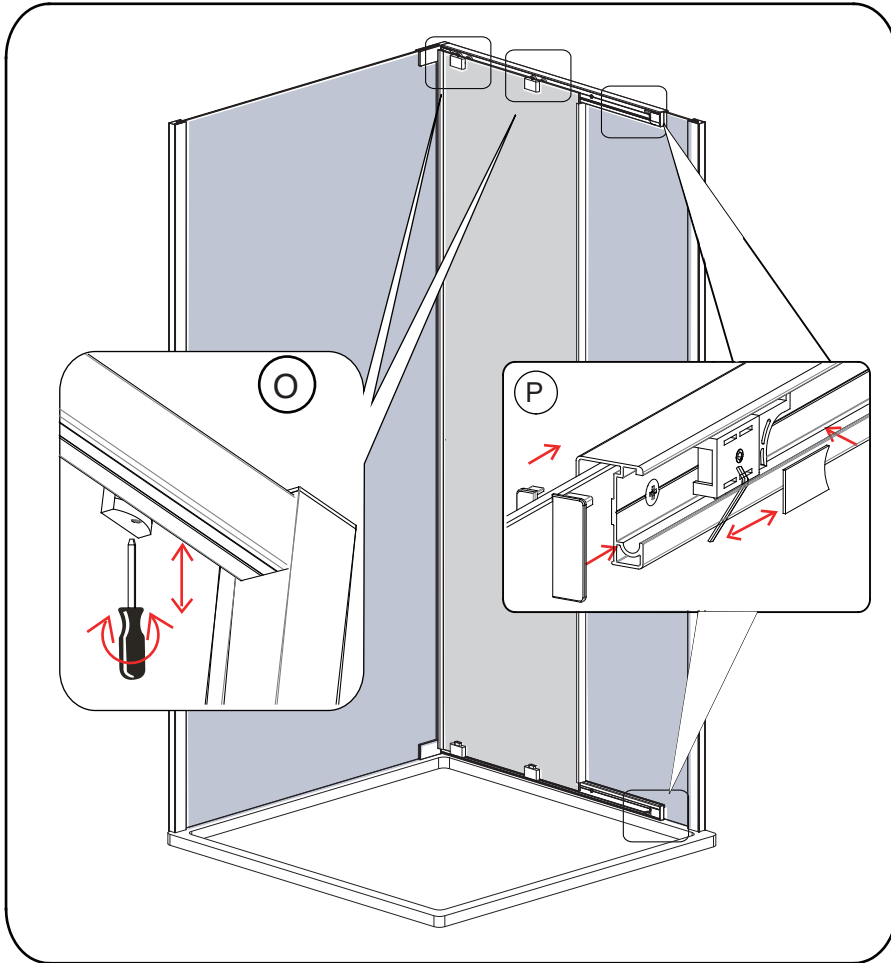


Step 4.1 Ensure the fixing holes on the glass panel line up with the holes on the glass fixing strip and rail profile. Insert the rail fixing seal (no.12) into the rail profiles (Diagram J). Secure the rail profile together with the fixed panel using screws M5x14 (no.7) (Diagram K).



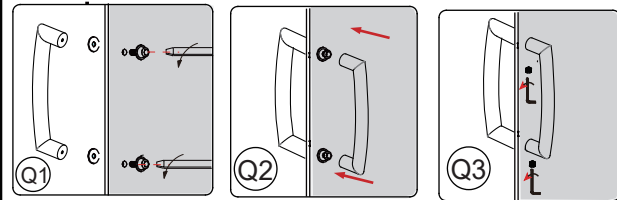
Step 5. Fit the top/bottom rollers(no.15/16) onto the door panel (Diagram M1/M2),ensure the easy clean side faces the inside of the shower door.Carefully lift the door panel into the top rail profile, then using the quick release mechanism on the bottom rollers guide them into the bottom rail profile.(Diagram N).

INSTALLATION INSTRUCTIONS

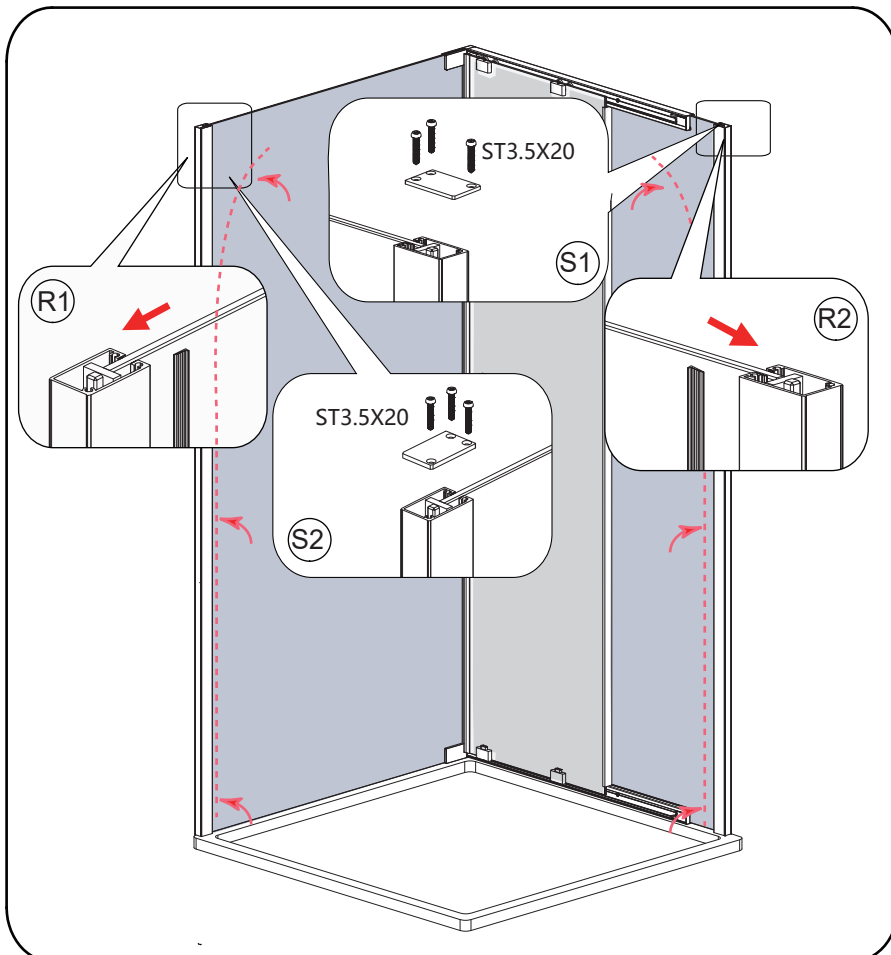


Step 6 Adjust the screw at the bottom of the top roller to raise or lower the door panel so it's 100% level with the fixed panel. Use the same technique if the wheels do not fit into the bottom rail. (Diagram N).

Step 7 Move the roller stoppers (no.23) at the fixed panel side to make it stay at the perfect position, then secure them onto the rail profiles by using the allen wrench to tighten the grub screw on the roller stopper. Next fit the cover cap on. Fit the rail profile end caps (no.21/22) onto the top and bottom rail profile. (Diagram P).



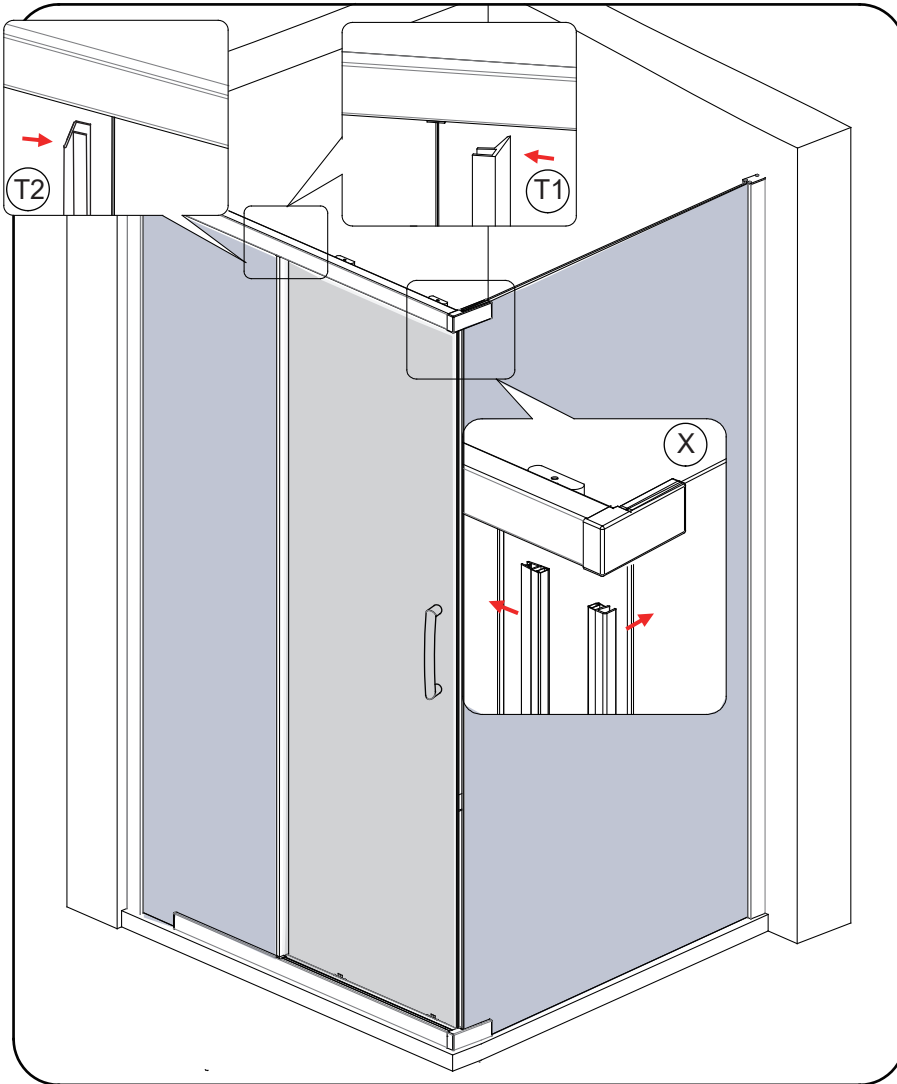
Step 8. Fit the handle (no.14) onto the door panel. (Diagram Q1/Q2/Q3).



Step 10. Press the vertical fixing seal (no.18/32) into the wall profiles from bottom to top to secure the glass panel. (R1/R2).

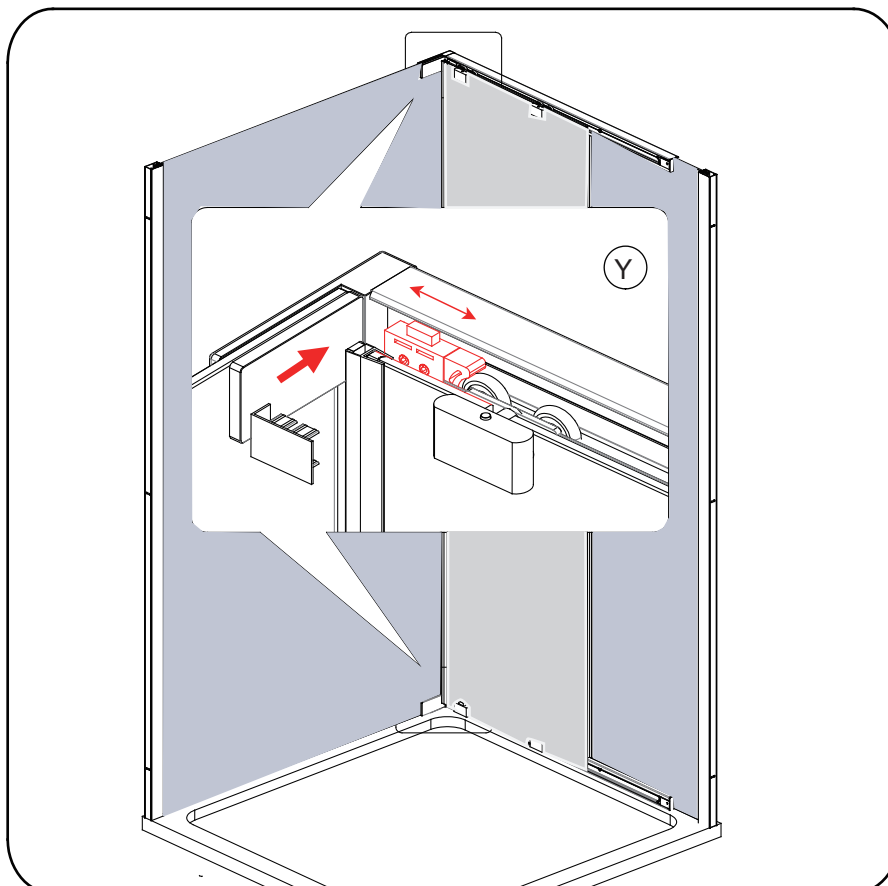
Step 11. Fix the wall profile top caps (no.19/no.33) onto the wall profile using screws ST 3.5x20 (no.20/no.34). (Diagram S1/ S2).

INSTALLATION INSTRUCTIONS



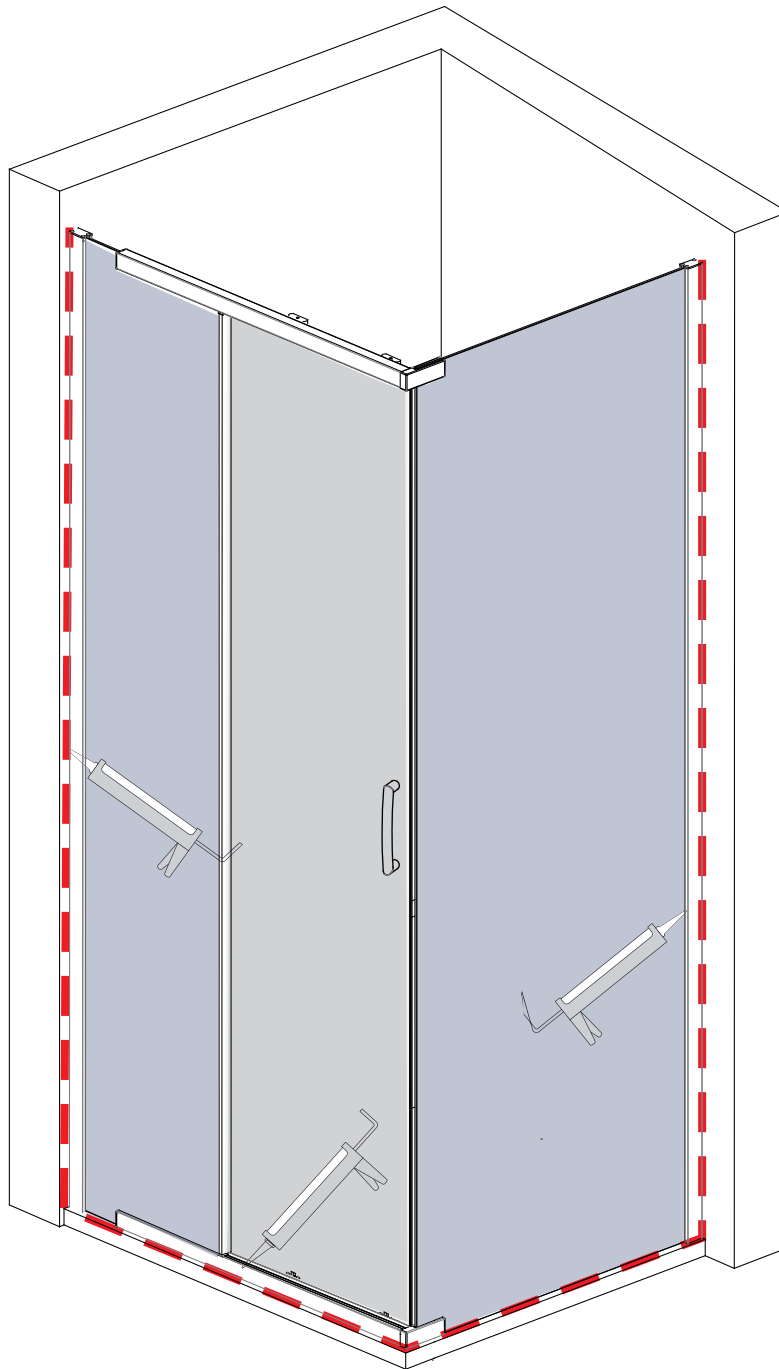
Step 12. Fit the fixed panel seal (no.17-1) onto the fixed panel(Diagram T1), fit the moving glass seal (no.17-2) onto the moving glass.(Diagram T2).

Step 13 Fit the magnetic strip(no.31) onto the door panel and side panel. (Diagram X).



Step 14. Close the door,ensuring the magnetic strip on the door panel touches the magnetic strip on the side panel. Move the roller stopper (no.23) so that it just touches the wheels of the roller. Open the door and secure the roller stopper onto the rail profile using the allen wrench to tighten the grub screws on the roller stopper.Next fit the cover cap on.(Diagram Y).

INSTALLATION INSTRUCTION



24 HRS



**DO NOT USE THE
ENCLOSURE FOR
24 HOURS AFTER
SEALING**

Applying Silicone Sealant

Sealing Inside

Seal from the top of the wall profile to the bottom on the **INSIDE** between the wall profile and the wall.

IMPORTANT: Do not apply sealant on inside of the tray.

Sealing Outside

Seal from the top of the wall profile to the bottom between the wall profile and tiles on both sides. Also seal along the bottom where the frame meets the tray. Seal the joints between the bottom profile and any upright profiles.

AFTERCARE

IMPORTANT – Cleaning and Aftercare

You should never use any abrasive cleaning supplies on your glass shower door. Additionally, it is important to wipe down all the glass and metal parts with a soft cloth after every use to remove residual water.

Do not use abrasive cleaning products that contains harsh chemicals, bleach or ammonia etc. These products will damage the glass and will corrode the shower door's frame and metallic parts over time.

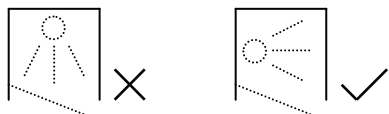
Do not clean any seals with strong cleaning chemicals. Using abrasives cleaners will damage seals and can then cause them to leak. Protect the seals by only cleaning them with a mild soap and warm water after use and to prevent any build-up of chemicals and limescale.

We do highly recommend that moving parts and hinges, are checked regularly to ensure they are clean, correctly positioned and operating smoothly.

Caring for your shower door properly will ensure it lasts a long time, remember to only use warm soapy water and a soft cloth and to wipe away any soap scum etc to avoid any corrosion.

Usage

For reliable, watertight performance from the enclosure your shower head should not be positioned so that the shower sprays directly onto the enclosure door. Failure to comply with this may cause the shower to leak. Outward opening doors may cause water to drip onto the floor, please ensure that the floor covering immediately outside the enclosure will not be affected by water.



This product has been applied with an easy clean glass treatment, a protective barrier which creates a 'non-stick' surface on your glass, helping to resist lime scale build up and water spots.

Formula Bathrooms

Unit 23, Pant Industrial Estate, Dowlais, Merthyr Tydfil, CF48 2SR.

For sales/aftersales queries, please visit our website:

www.formulabathrooms.co.uk

or Sales Tel: 01685 358600, Aftersales: aftersales@formulabathrooms.co.uk

